

ACPMGM-042 Series Synchronous Gearmotors



FEATURES

- AC Synchronous Gearmotors
- Designed for High-Volume Applications
- Up to 56 oz-in. of Torque
- 5 Watt
- 60/50 Hz
- 42mm Motor Body Diameter
- Can Be Customized for:
 - Current/Voltage
 - Shaft Options
 - Cables and Connectors
- RoHS Compliant

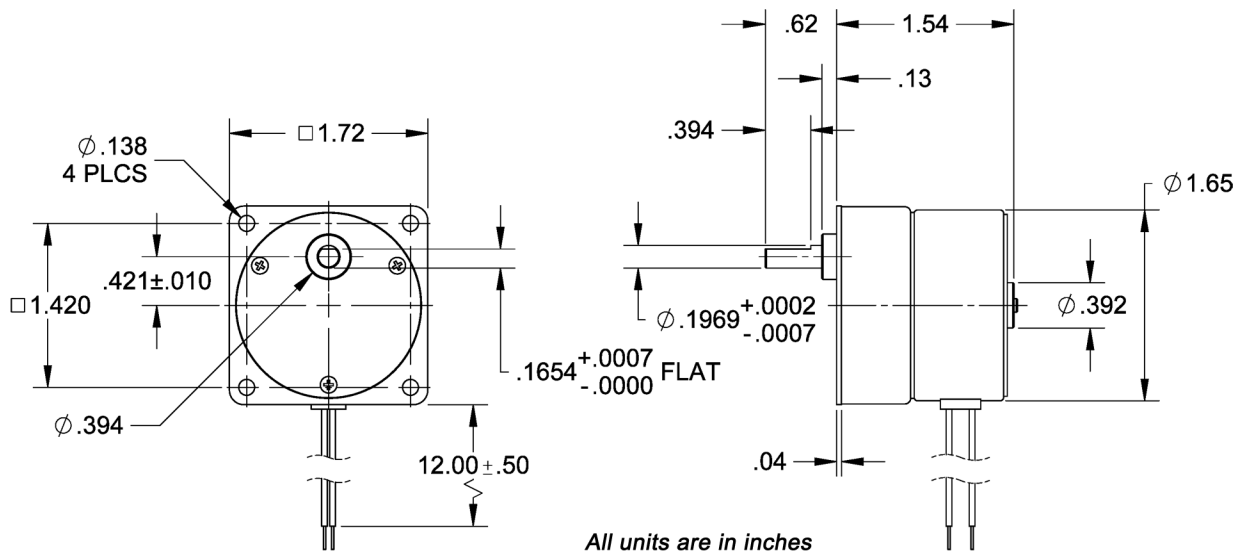


DESCRIPTION

Anaheim Automation's ACPMGM-042 Series AC Gearmotors come in a variety of input voltages and rated torques/speeds. These AC Synchronous Gearmotors are ideal for applications that require a constant speed while connecting to AC power line voltage. The ACPMGM-042 series can provide up to 56 oz-in. of torque. These synchronous gearmotors are available with many different options in speed and torque. Wire up the motor with the appropriate capacitor to AC voltage, and the motor will maintain a constant speed as long as the load remains under the rated torque as listed in the table.

Note: Capacitors sold separately. Compatible capacitors are listed on the specifications table on the next page.

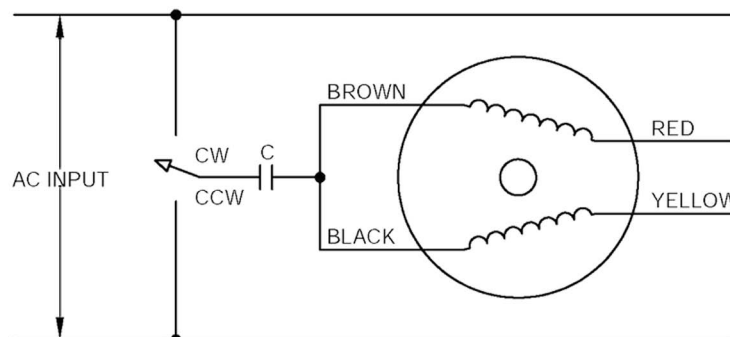
DIMENSIONS



L010509

Model #	Input Voltage (VAC)	Motor Speed (RPM)	Rated Torque (oz-in)	Capacitor		
				Item #	(μ F)	Rated Voltage (VAC)
ACPMGM-042-040-24-250-R10	24	25	29	CAP-CBB61-100VAC-8uF	8	70 or Above
ACPMGM-042-040-24-250-R20	24	12.5	53	CAP-CBB61-100VAC-8uF	8	70 or Above
ACPMGM-042-040-24-250-R25	24	10	56	CAP-CBB61-100VAC-8uF	8	70 or Above
ACPMGM-042-040-24-250-R30	24	8.3	56	CAP-CBB61-100VAC-8uF	8	70 or Above
ACPMGM-042-040-24-250-R50	24	5	56	CAP-CBB61-100VAC-8uF	8	70 or Above
ACPMGM-042-040-24-250-R75	24	3.3	56	CAP-CBB61-100VAC-8uF	8	70 or Above
ACPMGM-042-040-24-250-R100	24	2.5	56	CAP-CBB61-100VAC-8uF	8	70 or Above
ACPMGM-042-040-24-250-R120	24	2.1	56	CAP-CBB61-100VAC-8uF	8	70 or Above
ACPMGM-042-040-24-250-R150	24	1.6	56	CAP-CBB61-100VAC-8uF	8	70 or Above
ACPMGM-042-040-110-250-R10	110	25	29	CAP-CBB61-250VAC-0.47uF	0.5	230 or Above
ACPMGM-042-040-110-250-R20	110	12.5	53	CAP-CBB61-250VAC-0.47uF	0.5	230 or Above
ACPMGM-042-040-110-250-R25	110	10	56	CAP-CBB61-250VAC-0.47uF	0.5	230 or Above
ACPMGM-042-040-110-250-R30	110	8.3	56	CAP-CBB61-250VAC-0.47uF	0.5	230 or Above
ACPMGM-042-040-110-250-R50	110	5	56	CAP-CBB61-250VAC-0.47uF	0.5	230 or Above
ACPMGM-042-040-110-250-R75	110	3.3	56	CAP-CBB61-250VAC-0.47uF	0.5	230 or Above
ACPMGM-042-040-110-250-R100	110	2.5	56	CAP-CBB61-250VAC-0.47uF	0.5	230 or Above
ACPMGM-042-040-110-250-R120	110	2.1	56	CAP-CBB61-250VAC-0.47uF	0.5	230 or Above
ACPMGM-042-040-110-250-R150	110	1.6	56	CAP-CBB61-250VAC-0.47uF	0.5	230 or Above
ACPMGM-042-040-220-250-R10	220	25	29	CAP-CBB61-450VAC-0.1uF	0.1	430 or Above
ACPMGM-042-040-220-250-R20	220	12.5	53	CAP-CBB61-450VAC-0.1uF	0.1	430 or Above
ACPMGM-042-040-220-250-R25	220	10	56	CAP-CBB61-450VAC-0.1uF	0.1	430 or Above
ACPMGM-042-040-220-250-R30	220	8.3	56	CAP-CBB61-450VAC-0.1uF	0.1	430 or Above
ACPMGM-042-040-220-250-R50	220	5	56	CAP-CBB61-450VAC-0.1uF	0.1	430 or Above
ACPMGM-042-040-220-250-R75	220	3.3	56	CAP-CBB61-450VAC-0.1uF	0.1	430 or Above
ACPMGM-042-040-220-250-R100	220	2.5	56	CAP-CBB61-450VAC-0.1uF	0.1	430 or Above
ACPMGM-042-040-220-250-R120	220	2.1	56	CAP-CBB61-450VAC-0.1uF	0.1	430 or Above
ACPMGM-042-040-220-250-R150	220	1.6	56	CAP-CBB61-450VAC-0.1uF	0.1	430 or Above

**Torque Ratings at 50Hz.*



Noise Level:	45 dB	Phase:	Single-Phase
Frequency:	50/60Hz	Temperature Rise:	60°C
Rotation:	Bidirectional		